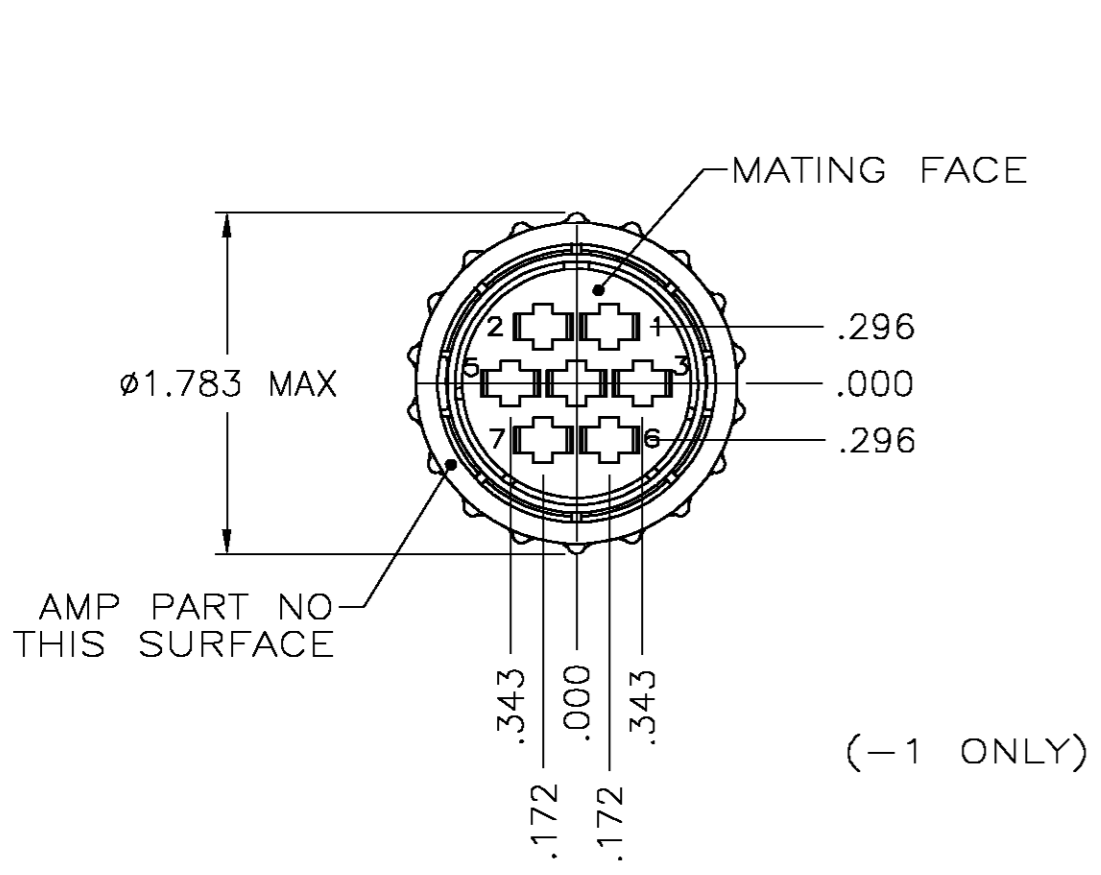
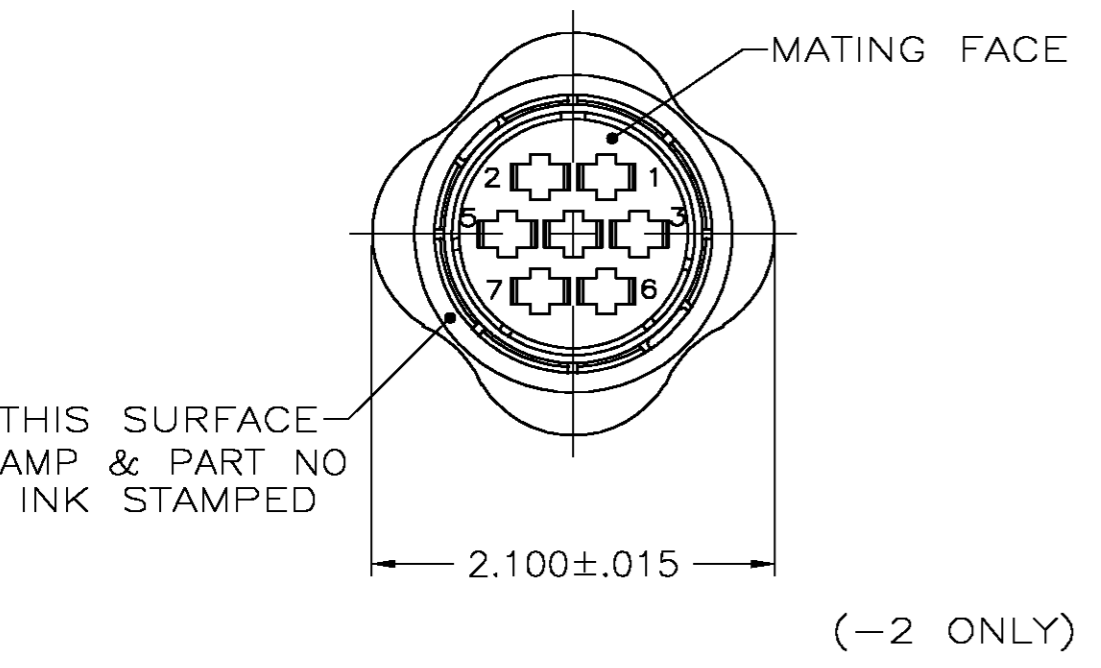


THIS DRAWING IS UNPUBLISHED. RELEASED FOR PUBLICATION
 © COPYRIGHT BY TYCO ELECTRONICS CORPORATION. ALL RIGHTS RESERVED.

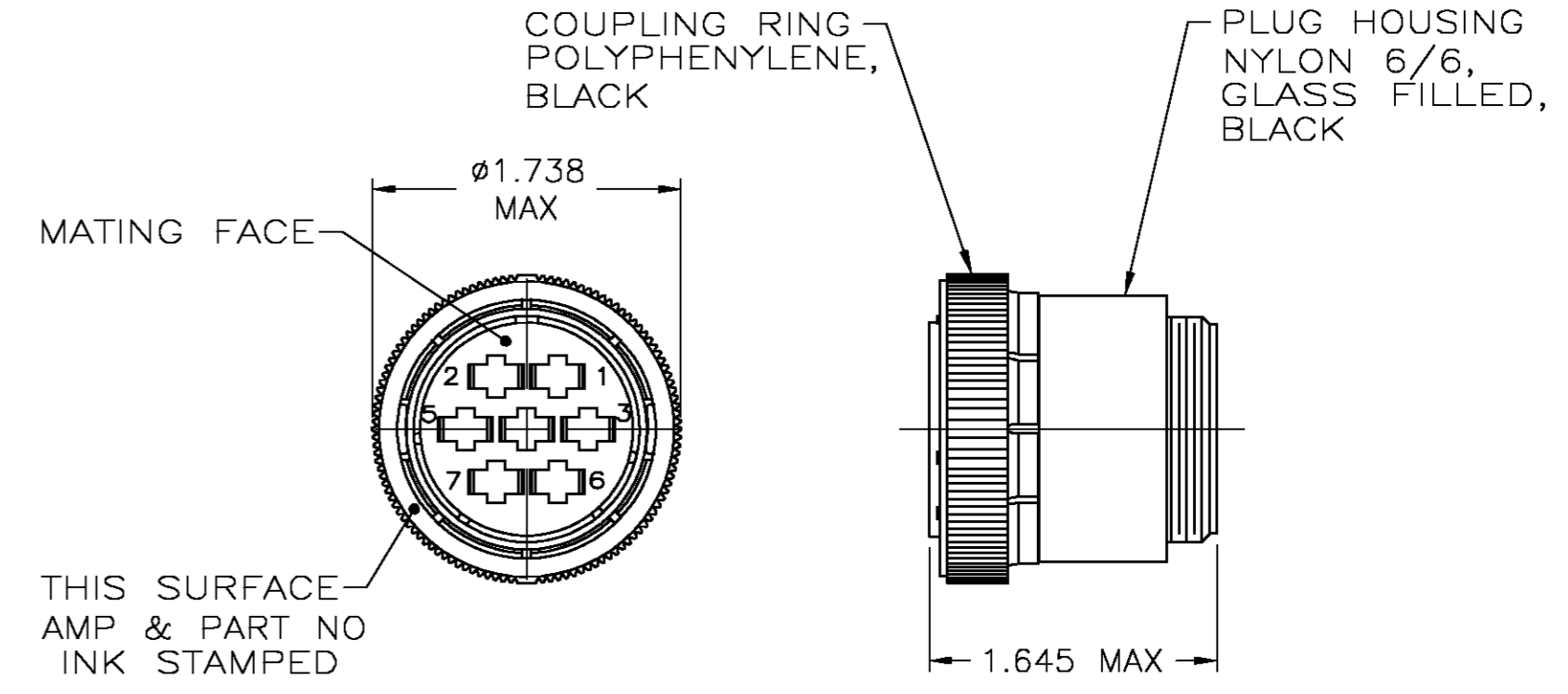
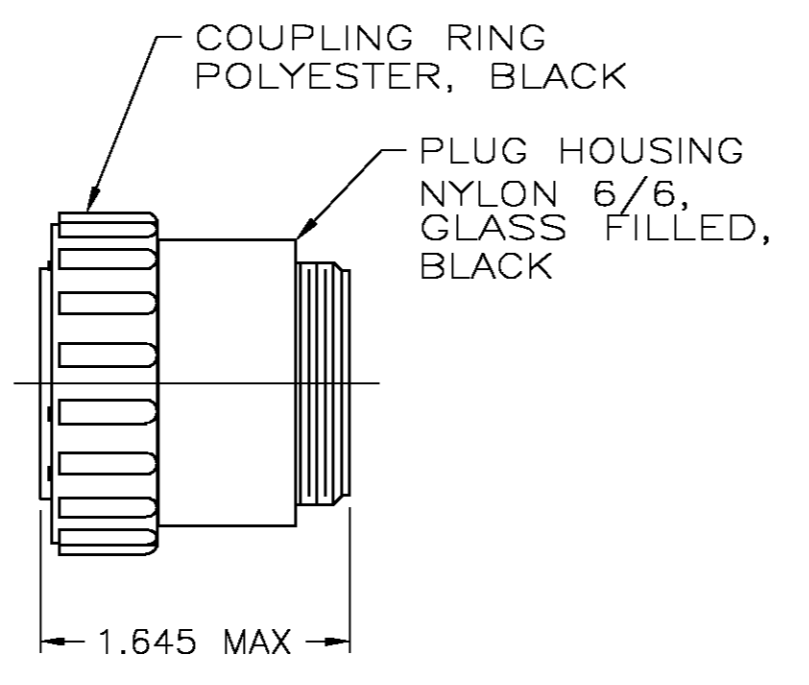
LOC		DIST		REVISIONS			
P	LTR	DESCRIPTION	DATE	DWN	APVD		
FT	0						
	J	REVISED PER 0G3B-0899-04	10/8/04	SS	HW		



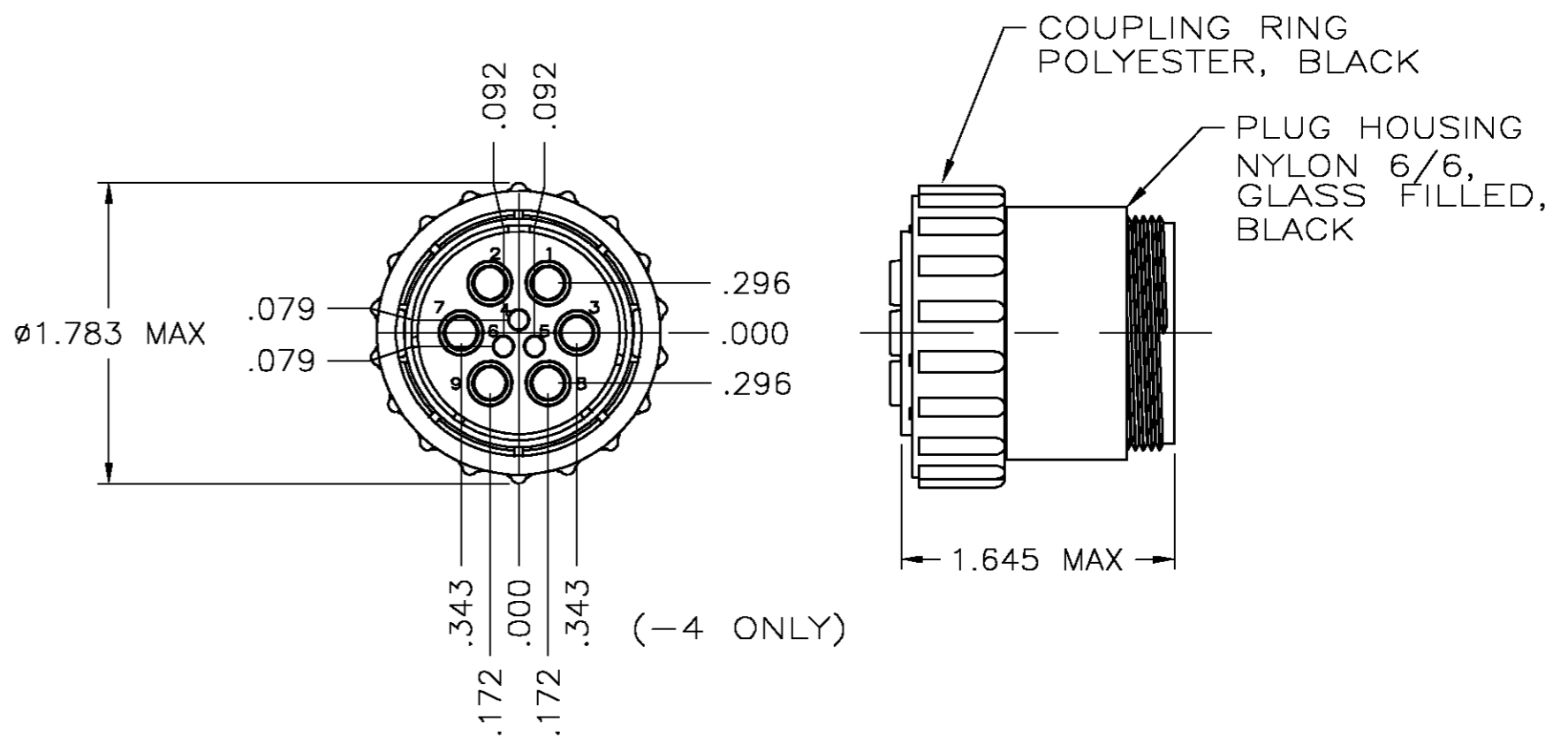
(-1 ONLY)



(-2 ONLY)



(-3 ONLY)



(-4 ONLY)

NOTES:

- CONTACT CAVITIES IDENTIFIED BY CHARACTERS ON FRONT AND REAR FACE OF CONNECTOR.
- 1, -2 AND -3 CONNECTORS WILL ACCEPT SEVEN (7) TYPE XII SOCKET CONTACTS.
- 4 CONNECTOR WILL ACCEPT SIX (6) POWER BAND SOCKET CONTACTS AND THREE (3) TYPE III+ SIGNAL SOCKET CONTACTS.

PRELIMINARY	206136-4
	206136-3
OBSOLETE	206136-2
	206136-1

PART NUMBER

THIS DRAWING IS A CONTROLLED DOCUMENT.		DWN	S.RIDGLEY BG	7/30/90	 Tyco Electronics Corporation Harrisburg, Pa 17105-3608
DIMENSIONS: INCHES		CHK	R.STONE	04/26/91	
TOLERANCES UNLESS OTHERWISE SPECIFIED:		APVD			NAME
0 PLC ± -		PRODUCT SPEC		108-10024	
1 PLC ± -		APPLICATION SPEC			
2 PLC ± .02		SIZE		A2	
3 PLC ± .010		CAGE CODE		00779	
4 PLC ± -		DRAWING NO		C=206136	
ANGLES ± -		RESTRICTED TO			
FINISH		WEIGHT			
SEE CALLOUT		CUSTOMER DRAWING		SCALE NTS SHEET 1 OF 1 REV J	